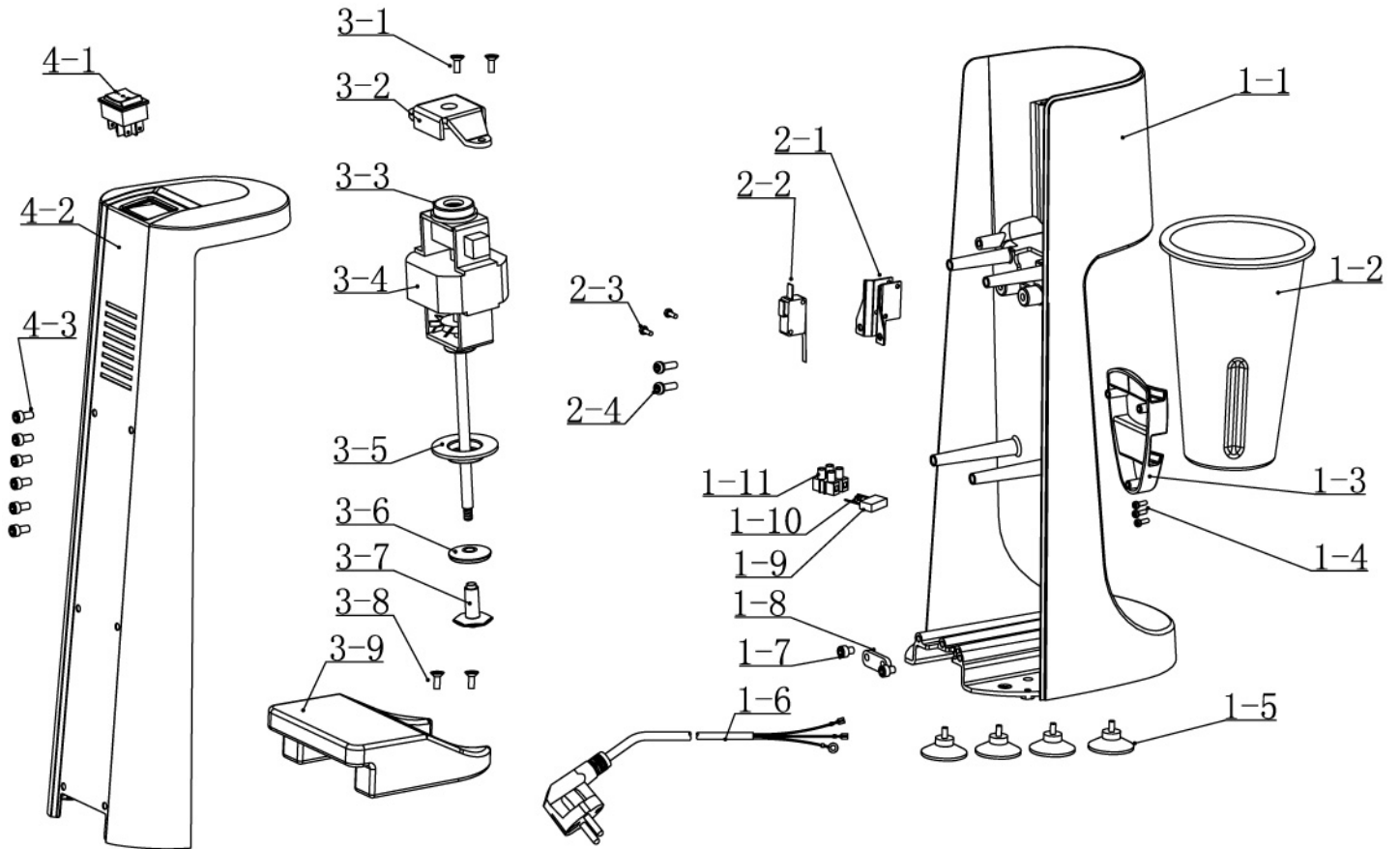


Parts Breakdown

Model BL-CN-0001 39453



Parts Breakdown

Model BL-CN-0001 39453

Item No.	Description	Position	Item No.	Description	Position	Item No.	Description	Position
62223	Base Seat for 39453	1-1	62230	Resistance 1M for 39453	1-10	41490	Motor for 39453	3-4
41487	Cup for 39453	1-2	62231	Terminal Block PA10 for 39453	1-11	41491	Rubber Cushion for 39453	3-5
62224	Cup Bracket for 39453	1-3	62232	Microswitch Holder for 39453	2-1	41492	Upper Agitator for 39453	3-6
62225	Self-Tapping Screw 4x14 for 39453	1-4	62233	Microswitch for 39453	2-2	41493	Under Agitator for 39453	3-7
41488	Underlay for 39453	1-5	62234	Bolt M3x14 for 39453	2-3	62238	Bolt M5x10 for 39453	3-8
62226	Power Cord for 39453	1-6	62235	Bolt M5x10 for 39453	2-4	62239	Aggravater for 39453	3-9
62227	Bolt M5x10 for 39453	1-7	62236	Bolt M5x10 for 39453	3-1	62240	Switch for 39453	4-1
62228	Power Cord Holder for 39453	1-8	62237	Motor Holder for 39453	3-2	62241	Back Cover for 39453	4-2
62229	Capacitance 0.22uF for 39453	1-9	41489	Rubber Cushion for 39453	3-3	62242	Bolt M5x6 for 39453	4-3